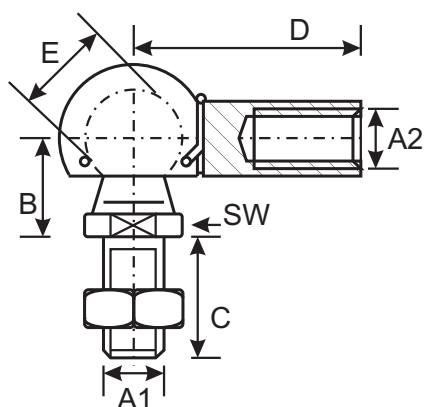


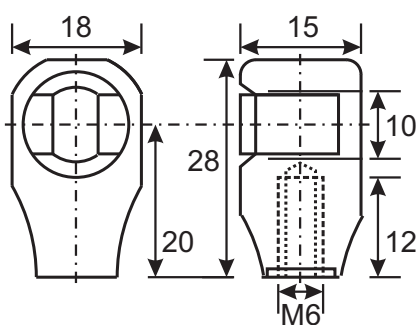
ball joints, ball sockets, ball studs



for stainless steel see page E62

ball joints radial according to DIN 71802

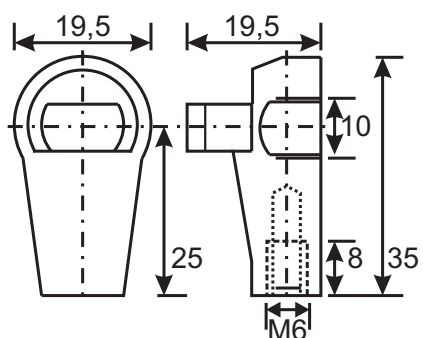
part-number	A1	A2	B	C	D	E	SW	static force pull / push
98.490	M 4		7	6	17	6	5	90 N
98.500	M 5		9	11	22	8	7	300 N
98.502	M 5	M 4	9	11	22	8	7	300 N
98.504	M 5	M 6	9	11	22	8	7	300 N
98.508	M 6	M 8	11	13	25	10	8	700 N
98.510	M 6		11	13	25	10	8	700 N
98.518	M 8	M 6	13	16	30	13	11	1500 N
98.520	M 8		13	16	30	13	11	1500 N
98.523	M 8		13	16	20	13	11	1500 N
98.526	M 8		13	25	30	13	11	1500 N
98.530	M10		16	20	35	16	13	2000 N
98.532	M10	M 8	16	20	35	16	13	2000 N
98.540	M12		16	20	35	16	13	2000 N
98.550	M14X1,5		20	28	45	19	17	3000 N
98.552	M14X2		20	28	45	19	17	3000 N
98.560	M16		20	28	45	19	17	3000 N



ball socket : for ball stud 10 mm
 : female taper thread M 6
 : for ball stud 92.990 en 92.998
 : for base plate 92.992

part.number : 72.421 : nylon black
 : 72.423 : steel, black zink coated

part.number : 72.425 : nylon black, 10 degree angle



ball socket : for ball stud 10 mm
 : material: nylon black
 : female taper thread M 6
 : for ball stud 92.990 + 92.998
 : for base plate 92.992
 : effective length 25 mm

part.number : 92.721