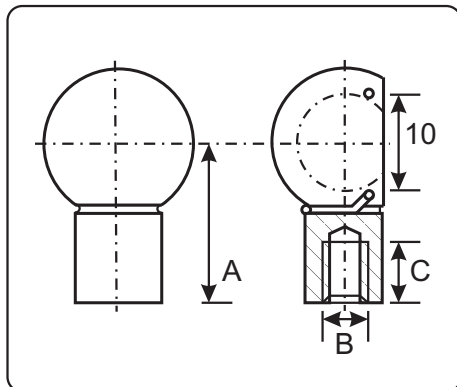


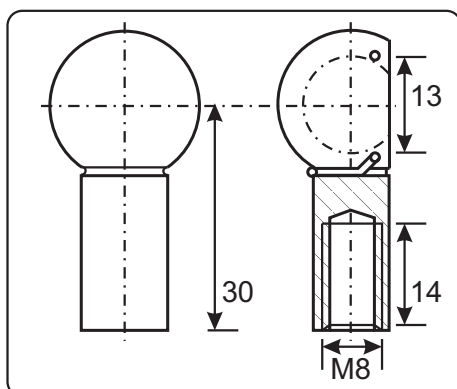
ball joints, ball sockets, ball studs



ball socketed

- : steel, zink plated
- : for ball stud 10 mm
- : female taper thread M6
- : for ball stud 92.990 + 92.998
- : for base plate 92.992 + 95.060

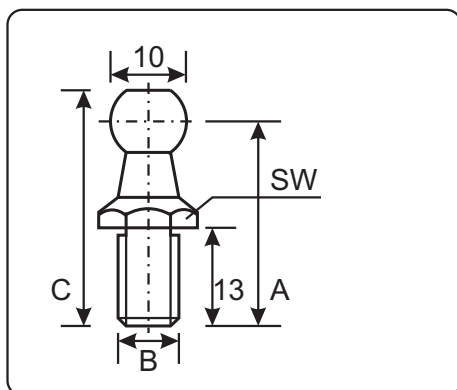
	A	B	C
part.number 92.216	: 20	M 6	10
part.number 92.220	: 25	M 6	10
part.number 92.215	: 20	M 8	11
part.number 92.214	: 18	M 8	11



ball socketed

- : steel, zink plated
- : for ball stud 13 mm
- : female taper thread M 8
- : effective length 30 mm
- : for base plate 92.995 + 95.070

part.number : 92.996



ball stud

- : steel, zink plated
- : for ball socket 72.421 + 92.721 + 92.215 + 92.216

	A	B	C	SW
part.number 92.998	: 24	M 6	28	10
part.number 92.990	: 27	M 8	31	13